

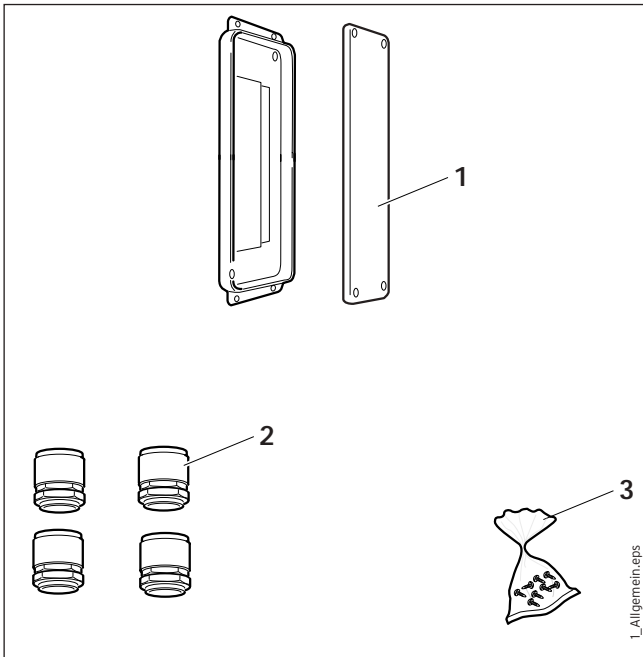
Montageanleitung/Installation instructions

INT

Zubehör E-Box/
Plug-in accessory for additional control functions

Art.-Nr. 306 248





- 1 x Nr. 1
- 4 x Nr. 2
- 1 x Nr. 3

